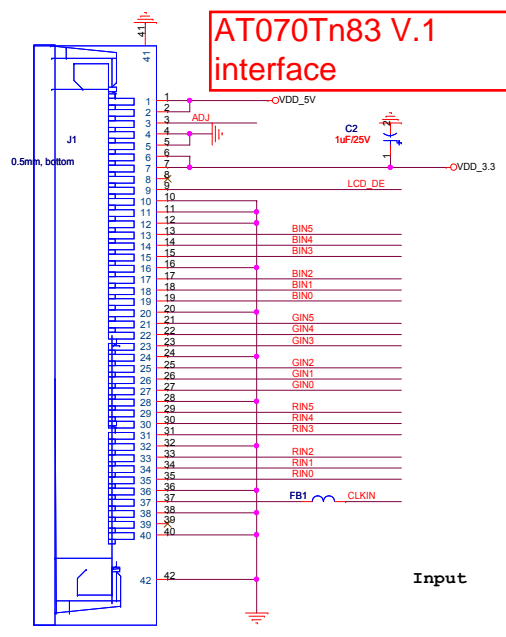
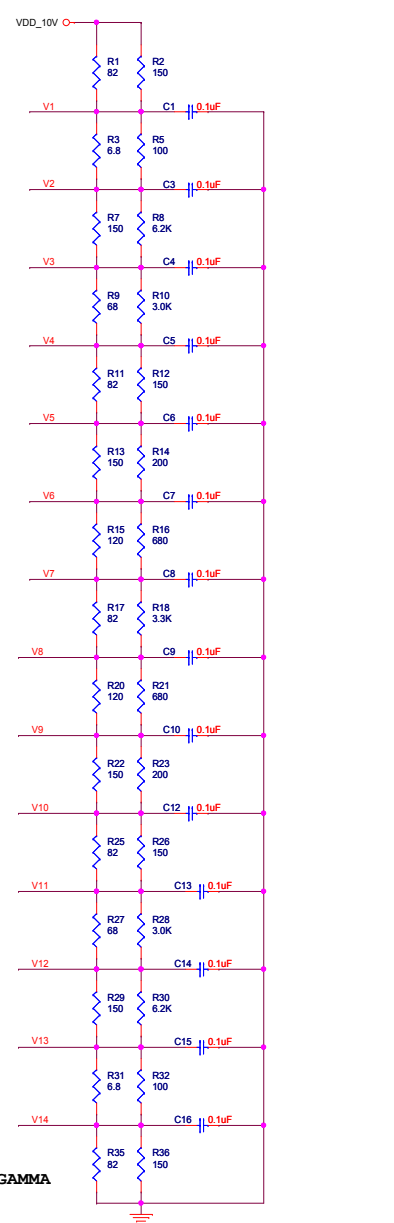


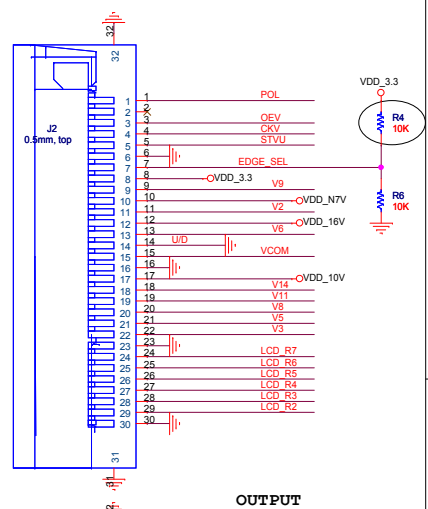
AT070Tn83 V.1 interface



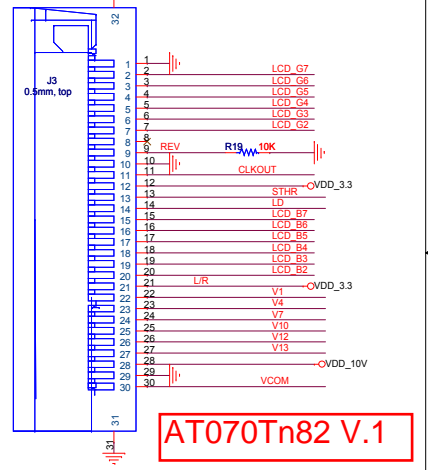
Input



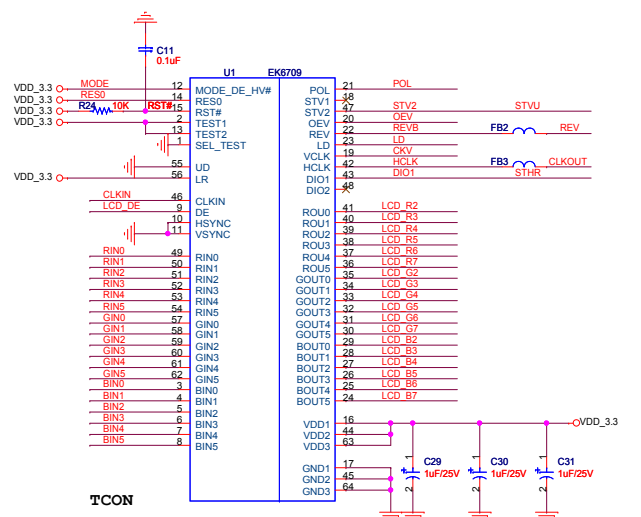
GAMMA



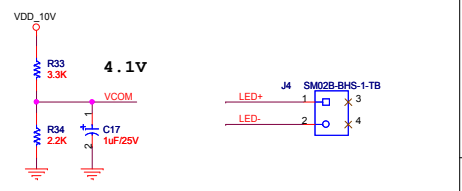
OUTPUT



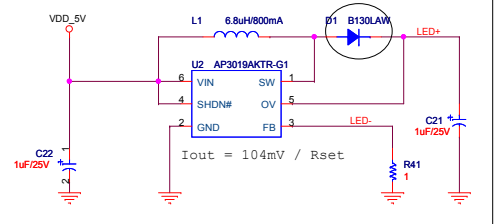
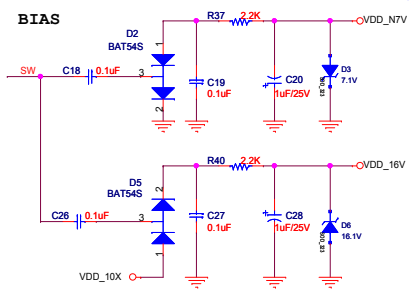
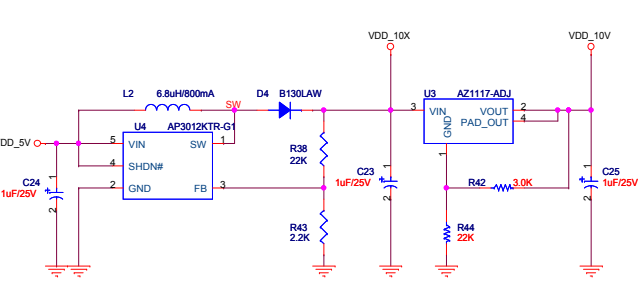
AT070Tn82 V.1



TCON



4.1V



File	Panel_TN82	
Size	Document Number	Rev
Custom	<Doc>	<RevCode>
Date:	Sunday, August 01, 2010	Sheet 1 of 1